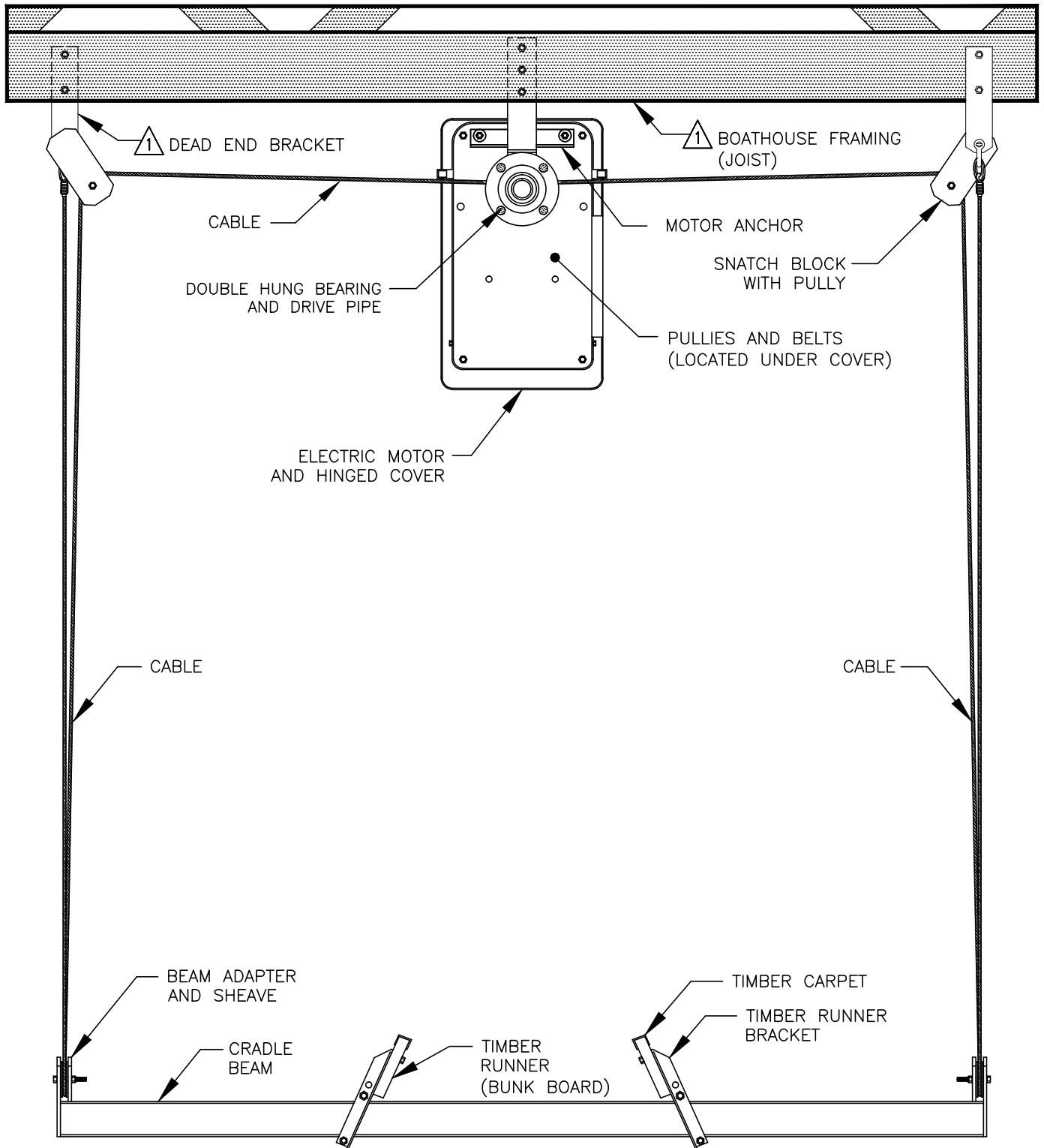


**"BOATHOUSE" MODEL LIFT: 6,000 LB
PARTS LIST**

NO.	ITEM DESCRIPTION	QTY
1	3/4 HP MOTOR WITH LONG CORD 15' AND BOXED SWITCH	1
2	GEAR PLATE	1
3	HINGED COVER	1
4	OVERHEAD MOTOR ANCHOR BRACKET	1
5	DOUBLE HUNG BEARING BRACKETS	2
6	'J' BRACKET HANGERS	4
8	SPACER SLEEVE	1
9	10" PULLEY	1
10	4L360 BELT	1
11	1/2" BORE PLAIN SHEAVES	8
12	7/16" SHACKLES	4
13	SNATCH BLOCKS	4
14	DEAD END BRACKETS	8
15	1/4" x 40' CABLES WITH NICO AND THIMBLE	4
16	6" CRADLE BEAMS (CRADLE LIFT ONLY)	2
17	ROLLS 14' CARPET (CRADLE LIFT ONLY)	2
35	TIMBER RUNNER BRACKET	8
18	3/8" x 2 1/2" GALVANIZED CARRAIGE BOLTS (CRADLE LIFT ONLY)	8
19	3/8" GALVANIZED NUTS (CRADLE LIFT ONLY)	8
20	14' WEIGHTED SLINGS (SLING LIFT ONLY-NOT SHOWN)	2
21	BEARING FLANGES	4
22	SA 210 BEARINGS	4
23	SA 210 BEARING LOCKS	4
HARDWARE		
21	1/2" x 1" GALVANIZED CARRAIGE BOLTS	16
22	1/2" x 1 1/2" GALVANIZED BOLTS	2
23	1/2" x 2" GALVANIZED BOLTS	2
24	1/2" GALVANIZED NUTS	16
25	1/2" GALVANIZED LOCK WASHERS	2
26	1/2" GALVANIZED FLAT WASHERS	10
27	3/16" WIRE CLIPS	4
28	5/8" x 3" GALVANIZED BOLTS	4
29	5/8" x 6" GALVANIZED BOLTS	16
30	5/8" GALVANIZED NUTS	20
31	STAINLESS STEEL HARDWARE COVERPAK	1
32	5/8" x 3" STAINLESS STEEL BOLTS	8
33	5/8" STAINLESS STEEL LOCK NUTS	8
34	5/8" GALVANIZED WASHERS	18
35	5/8" x 1-1/2" GALVANIZED HEX BOLTS	4
36	5/8" GALVANIZED LOCK WASHERS	4

GENERAL NOTES:

⚠ IMPORTANT—JOIST SHOULD BE ADEQUATE TO SUPPORT THE LOAD, WE RECOMMEND 2 x 10' DIMENSIONAL LUMBER. DEAD END BRACKETS SHOULD BE SECURELY ATTACHED TO THE BOATHOUSE FRAMING.

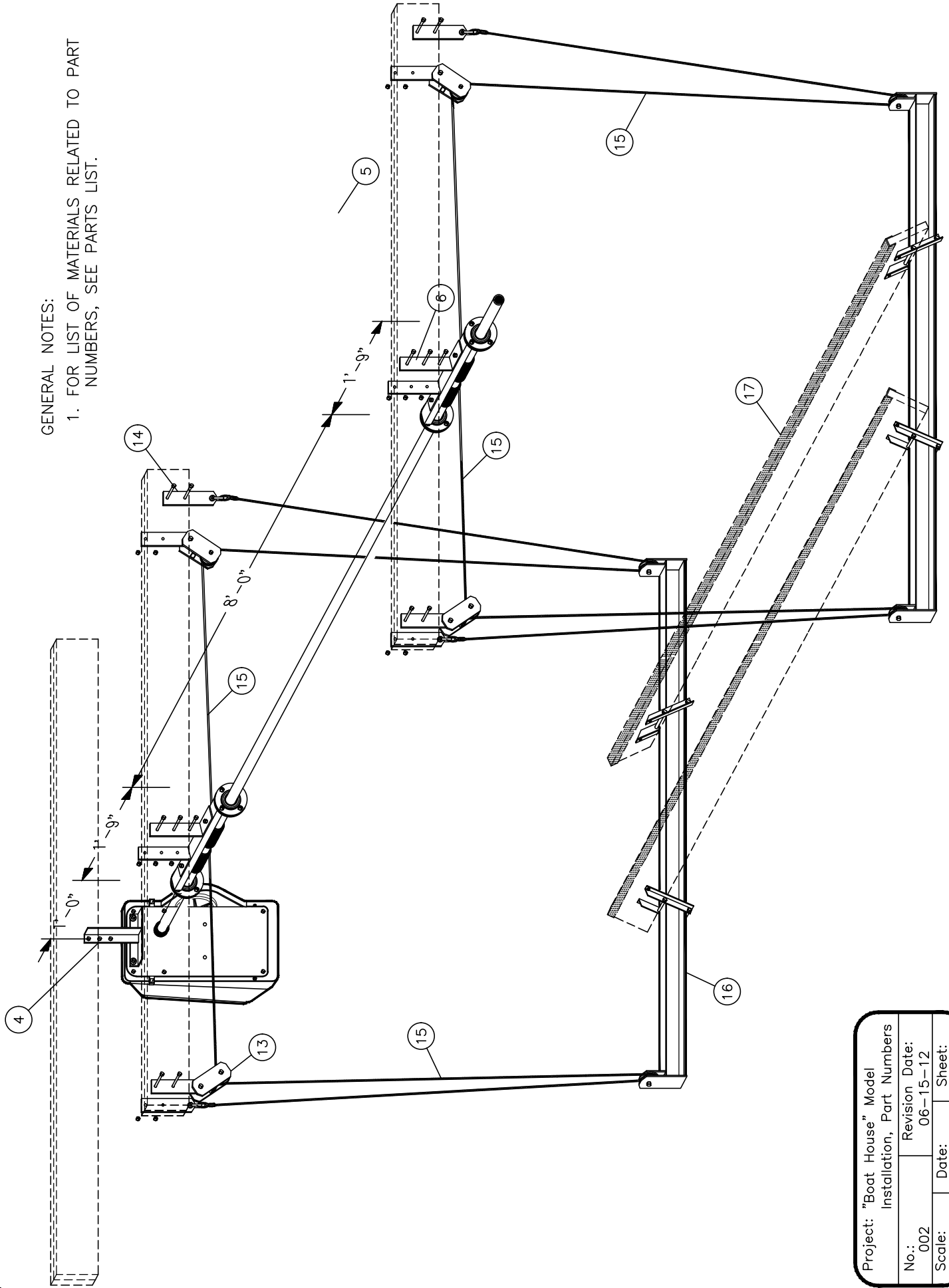


MODEL 6,000 LB LIFT

Project: "Boat House" Part Names (Model 6,000)		
No.: 001	Revision Date: 06-15-12	
Scale: None	Date: 06-27-01	Sheet: 1 of 1

GENERAL NOTES:

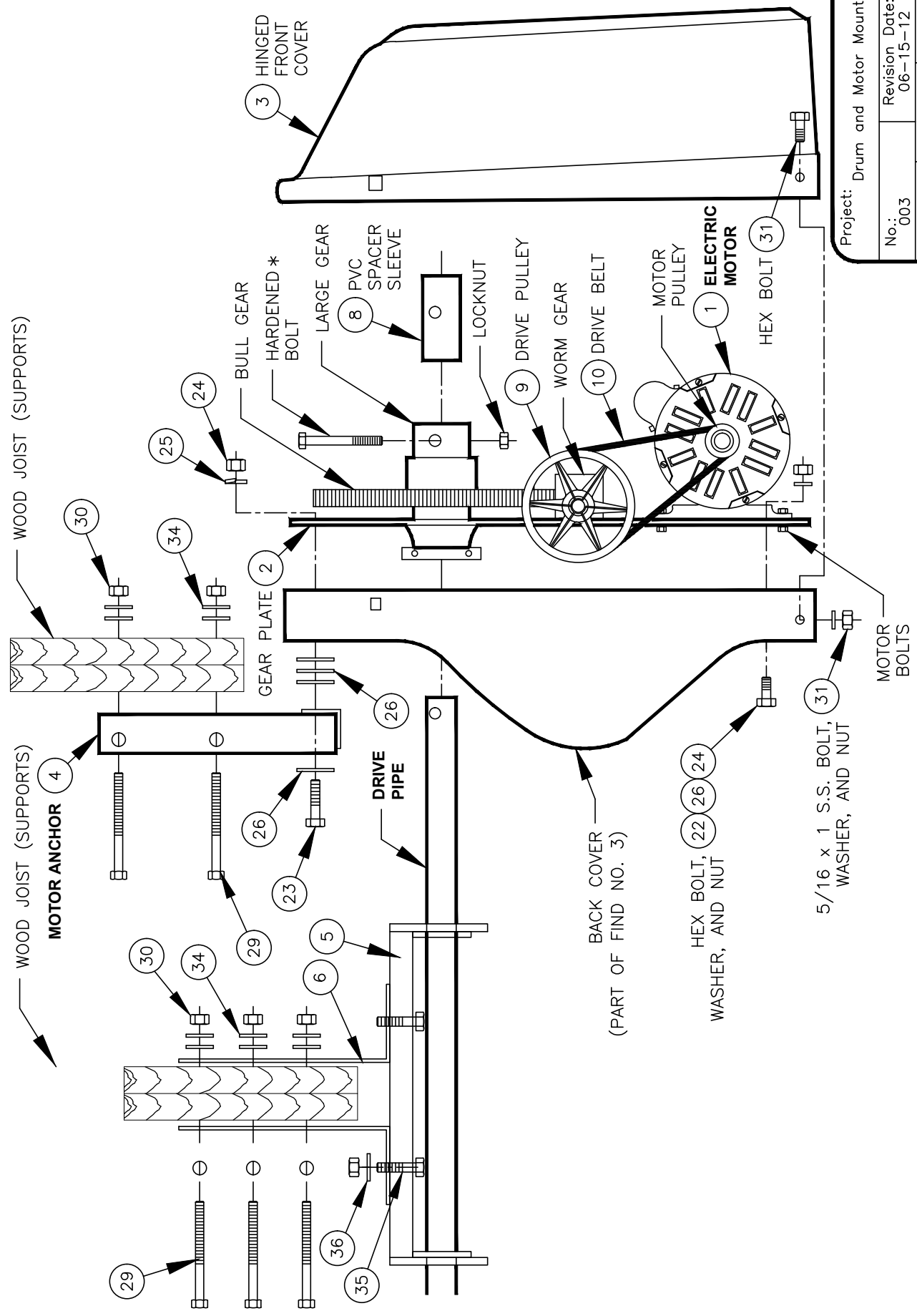
1. FOR LIST OF MATERIALS RELATED TO PART NUMBERS, SEE PARTS LIST.



Project: "Boat House" Model	
Installation, Part Numbers	
No.: 002	Revision Date: 06-15-12
Scale: None	Date: 06-28-01
	Sheet: 1 of 1

GENERAL NOTES:

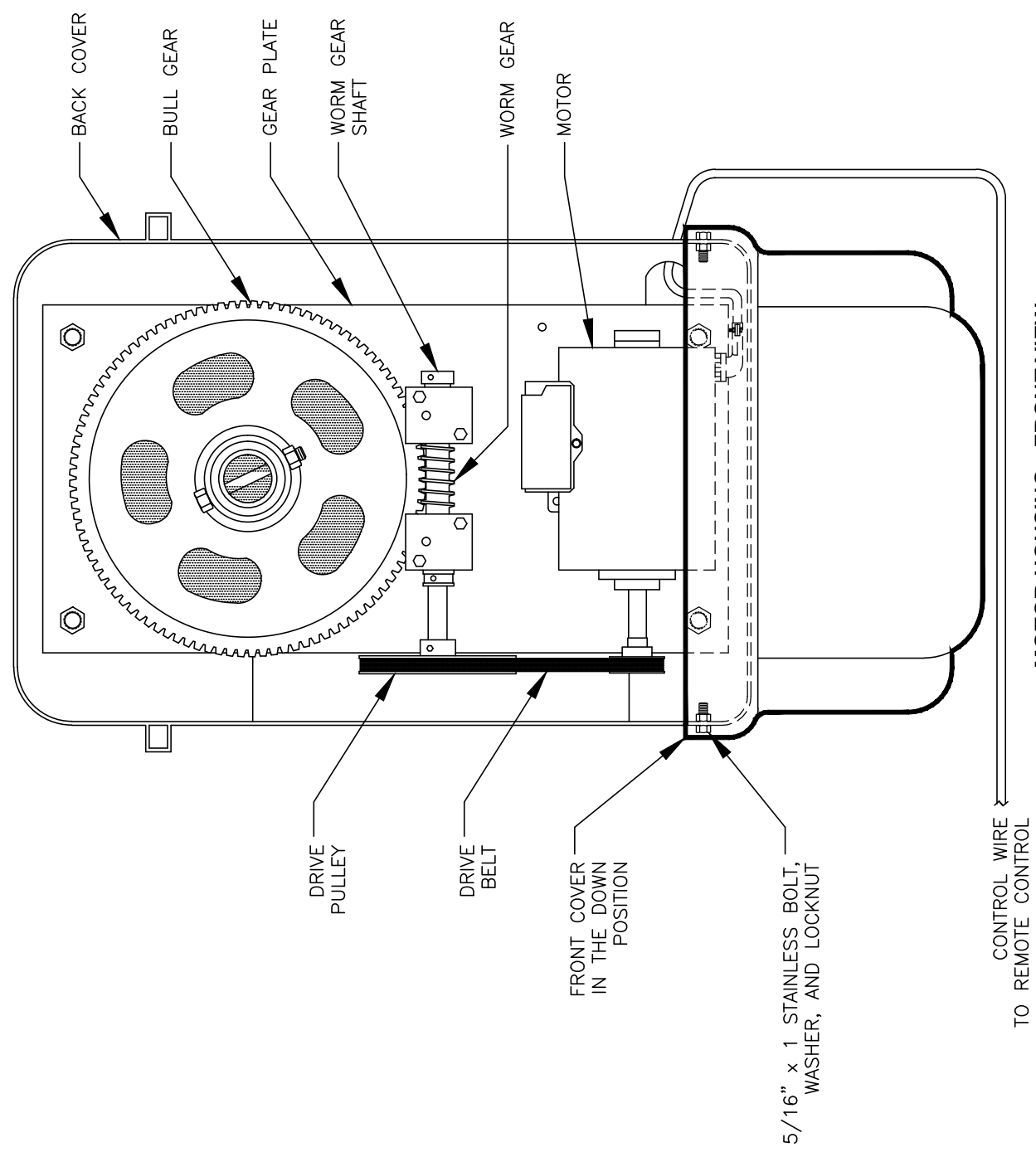
1. *CAUTION: INSTALL ONLY THE HARDENED BOLT SUPPLIED WITH THE GEAR ASSEMBLY.
3. FOR LIST OF MATERIALS RELATED TO PART NUMBERS, SEE PARTS LIST.



Project: Drum and Motor Mount	
No.: 003	Revision Date: 06-15-12
Scale: None	Date: 06-04-12
Sheet: 1	of 1

GENERAL NOTES:

1. SEE DRAWING NO. 003 (DRUM AND MOTER MOUNT) FOR A SIDE VIEW OF MOTOR AND MOTOR HOUSING.



MOTOR HOUSING - FRONT VIEW

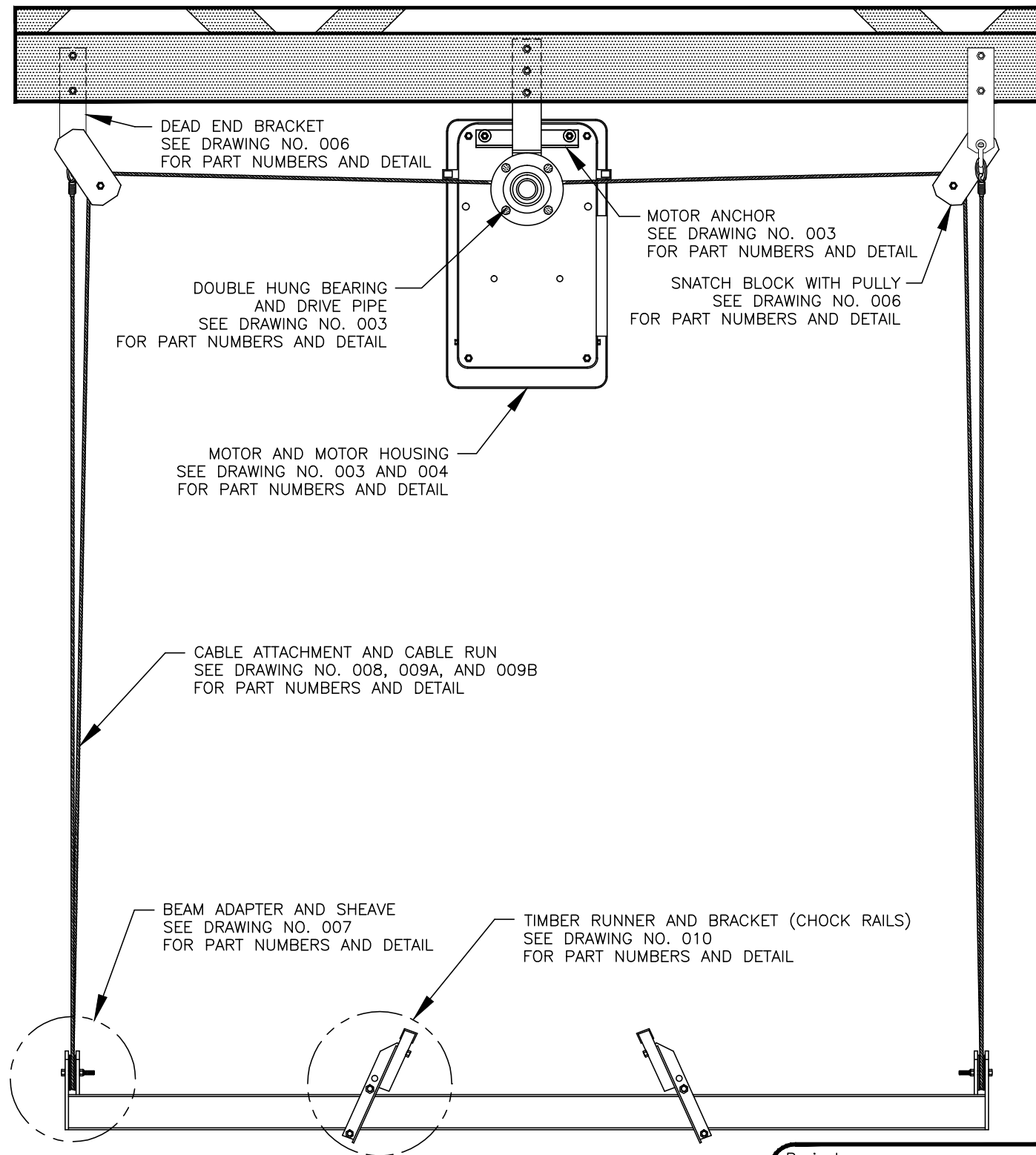
(COVER DOWN)

Project: Motor and Motor Housing			
No.: 004	Revision Date:		
Scale: None	Date: 06-04-12	Sheet: 1	of 1

CONTROL WIRE
TO REMOTE CONTROL

GENERAL NOTES:

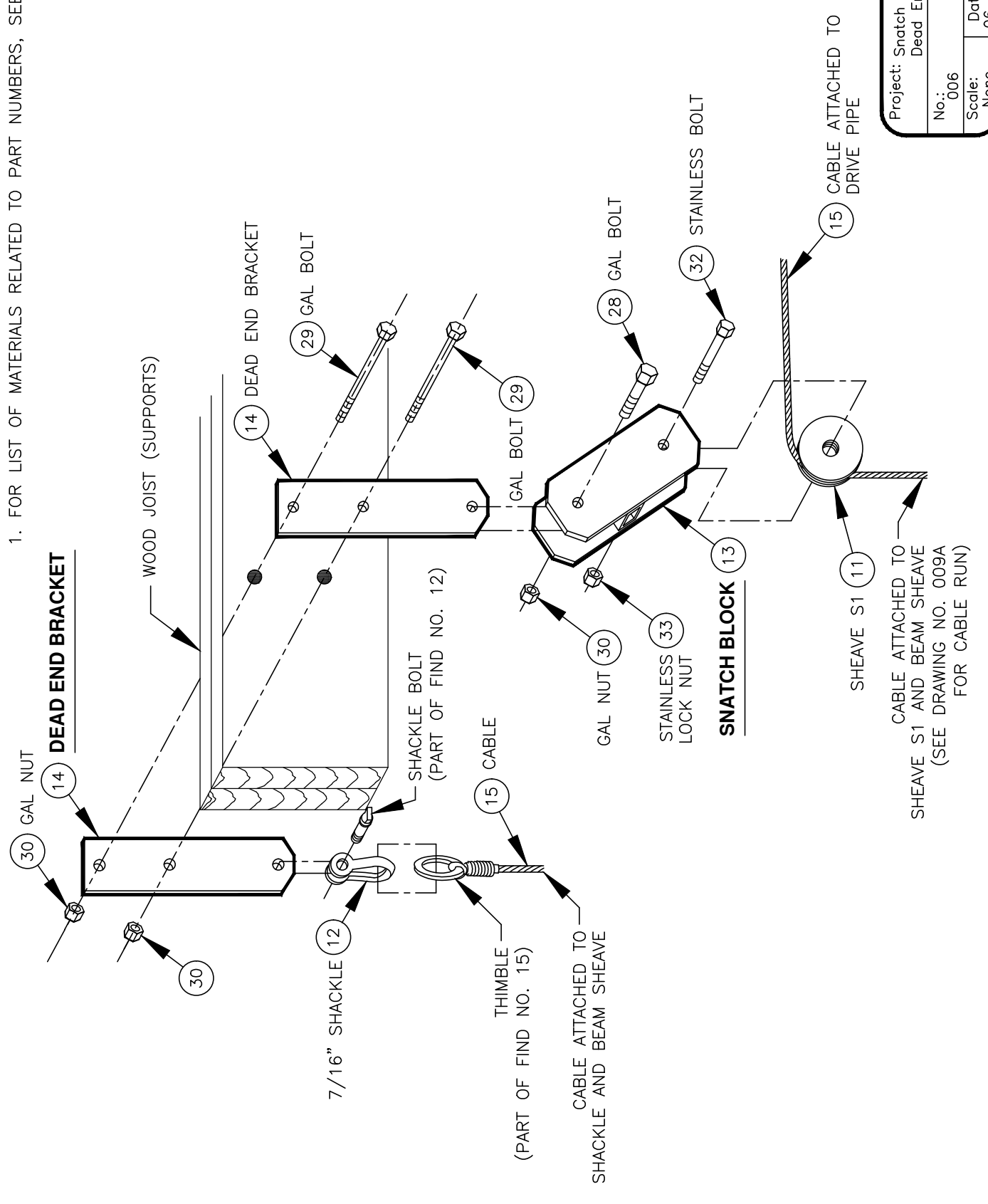
1. FOR A DETAIL DRAWING OF VIEW CALLED OUT, GO TO SPECIFIED DRAWING.



Project: Key To Detail Drawings		
No.: 005	Revision Date:	
Scale: None	Date: 06-04-12	Sheet: 1 of 1

GENERAL NOTES:

1. FOR LIST OF MATERIALS RELATED TO PART NUMBERS, SEE PARTS LIST.

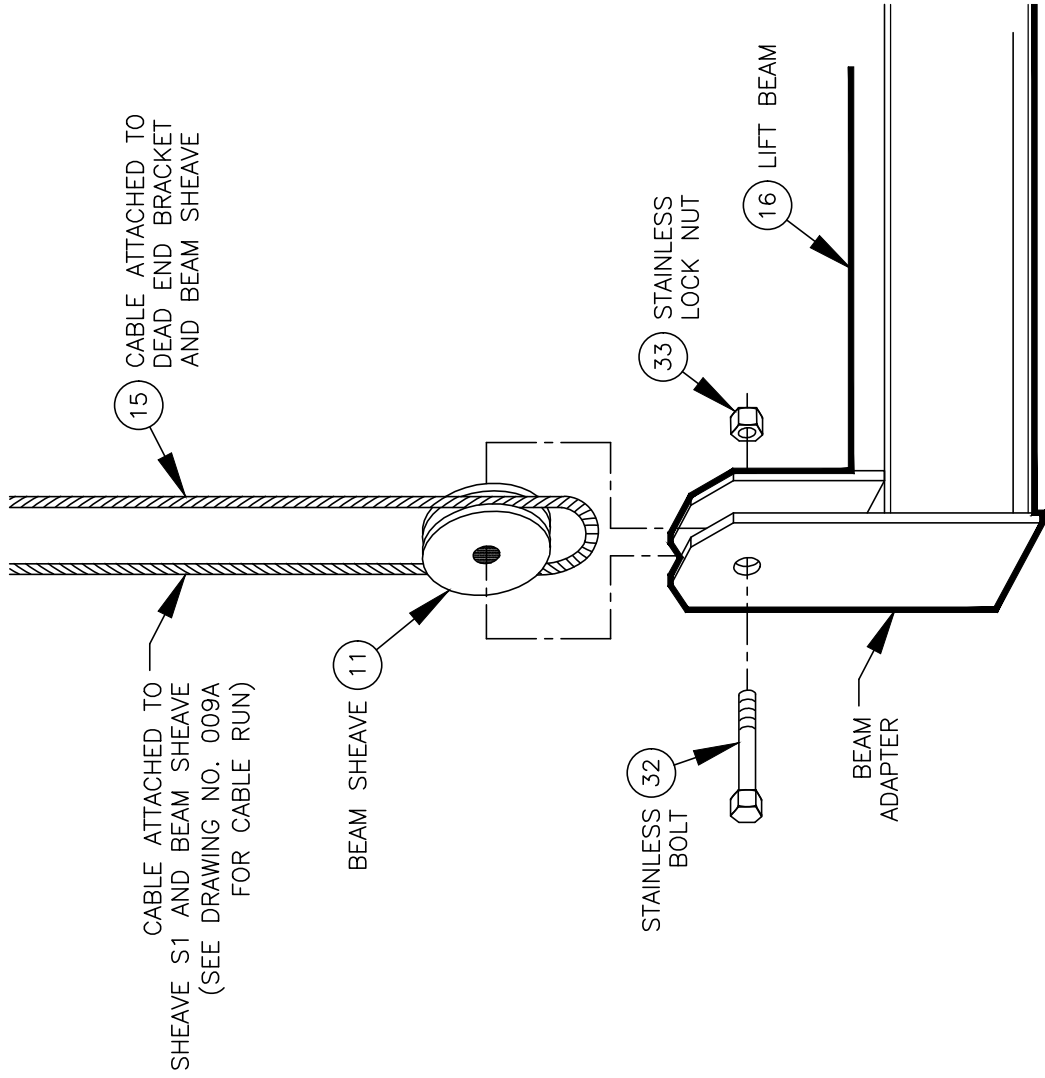


Project: Snatch Block and Dead End Bracket Detail			
No.:	006	Revision Date:	
Scale:	None	Date:	06-04-12
Sheet:	1	of	1

CABLE ATTACHED TO SHEAVE S1 AND BEAM SHEAVE (SEE DRAWING NO. 009A FOR CABLE RUN)

GENERAL NOTES:

1. FOR LIST OF MATERIALS RELATED TO PART NUMBERS, SEE PARTS LIST.

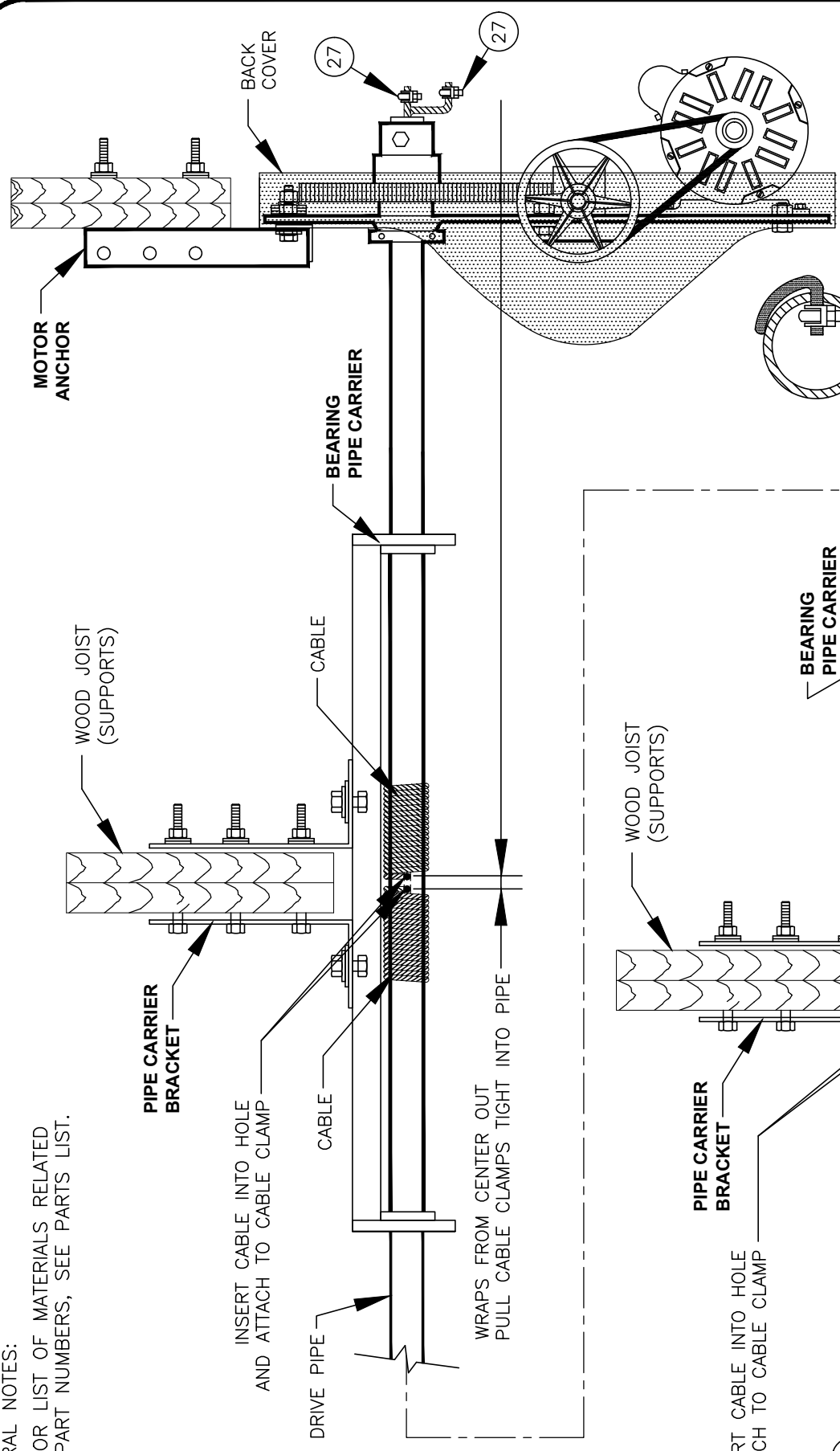


MODEL 6,000

Project: Beam Adapter Detail			
No.: 007	Revision Date:		
Scale: None	Date: 06-04-12	Sheet: 1	of 1

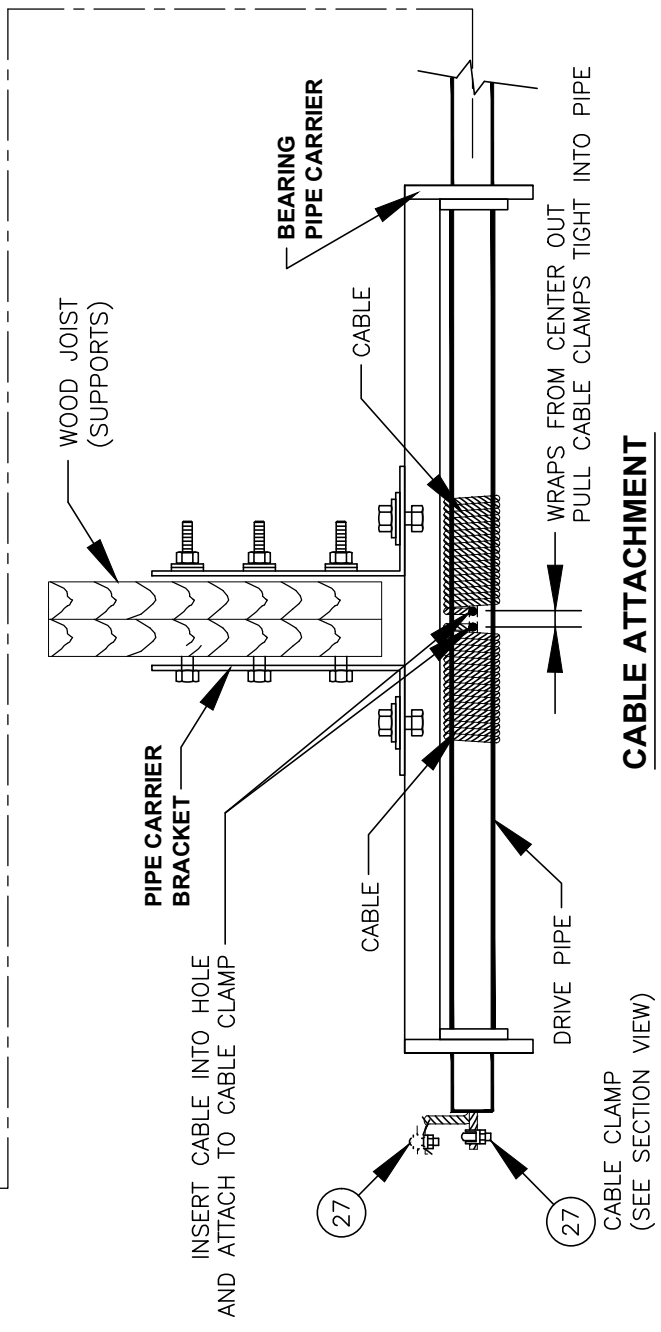
GENERAL NOTES:

1. FOR LIST OF MATERIALS RELATED TO PART NUMBERS, SEE PARTS LIST.



SECTION VIEW

CABLE CLAMP IS PULLED TIGHT INTO DRIVE PIPE

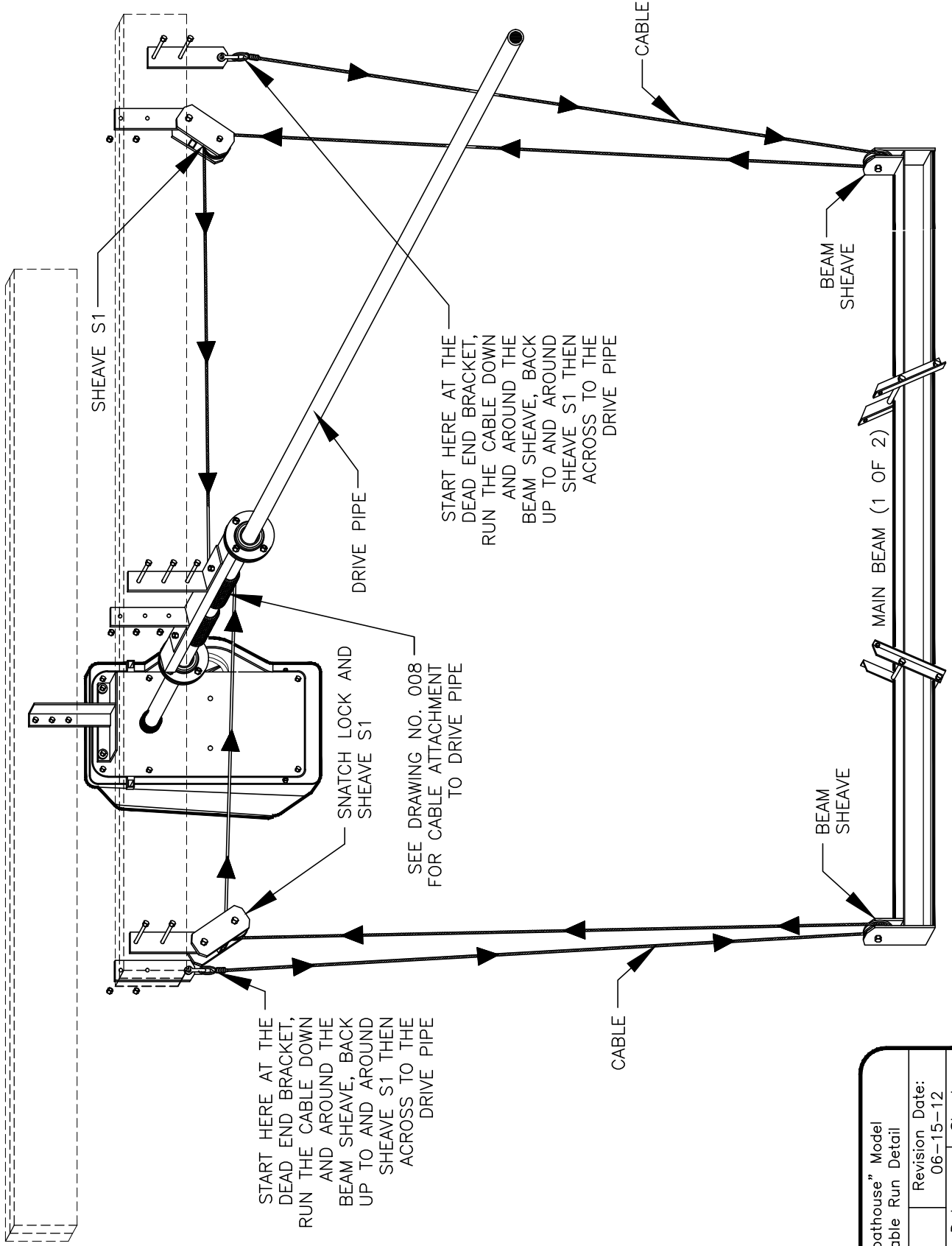


CABLE ATTACHMENT

Project: Cable Connections Assembly Detail and Cable Attachment	
No.: 008	Revision Date: 06-15-12
Scale: None	Date: 06-04-12
	Sheet: 1 of 1

GENERAL NOTES:

- 1. ENOUGH CABLE IS SUPPLIED WITH THE LIFT TO LOWER THE MAIN BEAM 20' BELOW THE SHEAVE S1 BOLT. IF A GREATER AMOUNT OF DROP IS REQUIRED, CALL YOUR LIFT SUPPLIER TO ACQUIRE LONGER CABLES.

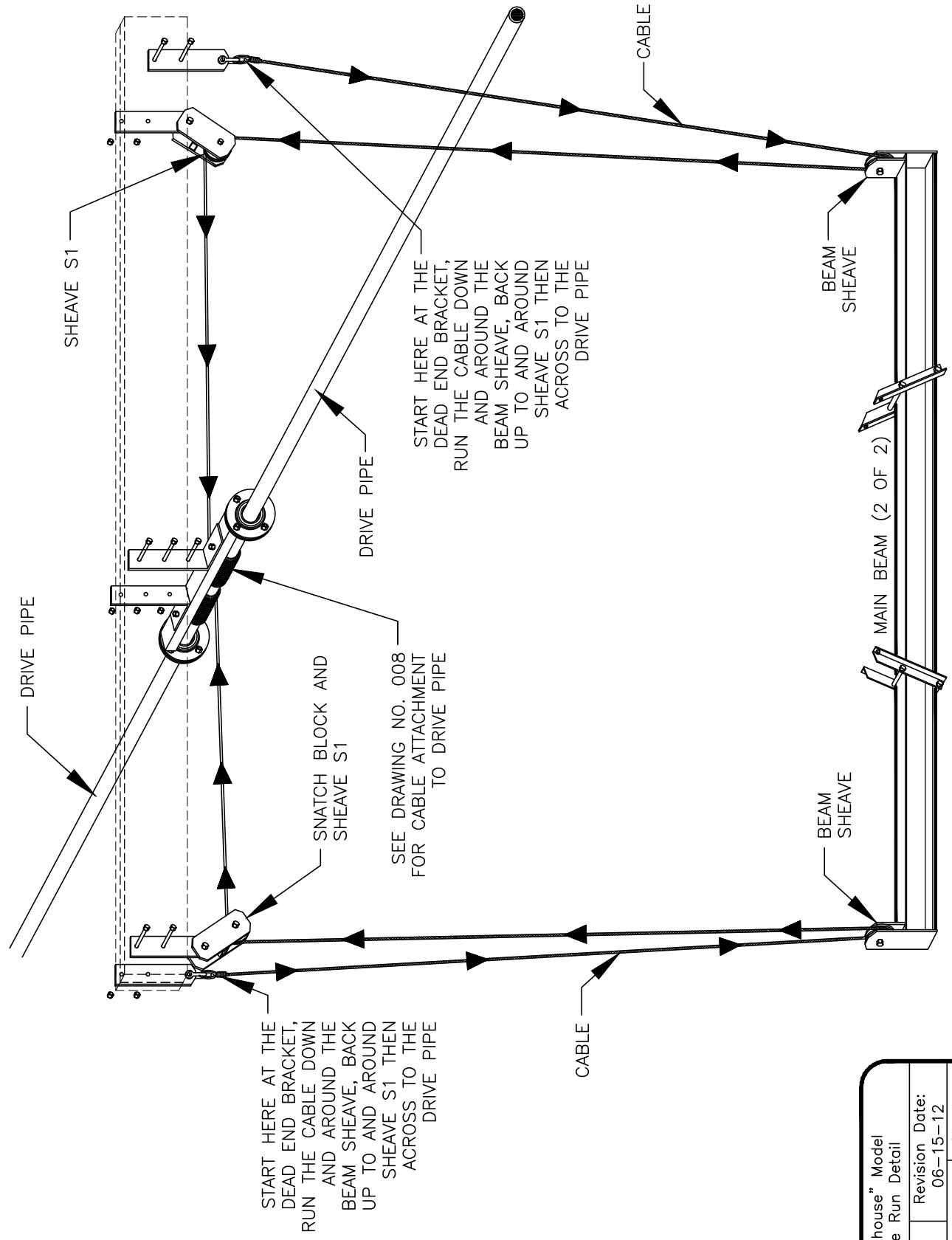


Project: "Boathouse" Model	
Cable Run Detail	
No.: 009A	Revision Date: 06-15-12
Scale: None	Date: 07-19-01
	Sheet: 1 of 2

BOAT LIFTS UNLIMITED, INC.

GENERAL NOTES:

1. ENOUGH CABLE IS SUPPLIED WITH THE LIFT TO LOWER THE MAIN BEAM 20' BELOW THE SHEAVE S1 BOLT. IF A GREATER AMOUNT OF DROP IS REQUIRED, CALL YOUR LIFT SUPPLIER TO ACQUIRE LONGER CABLES.

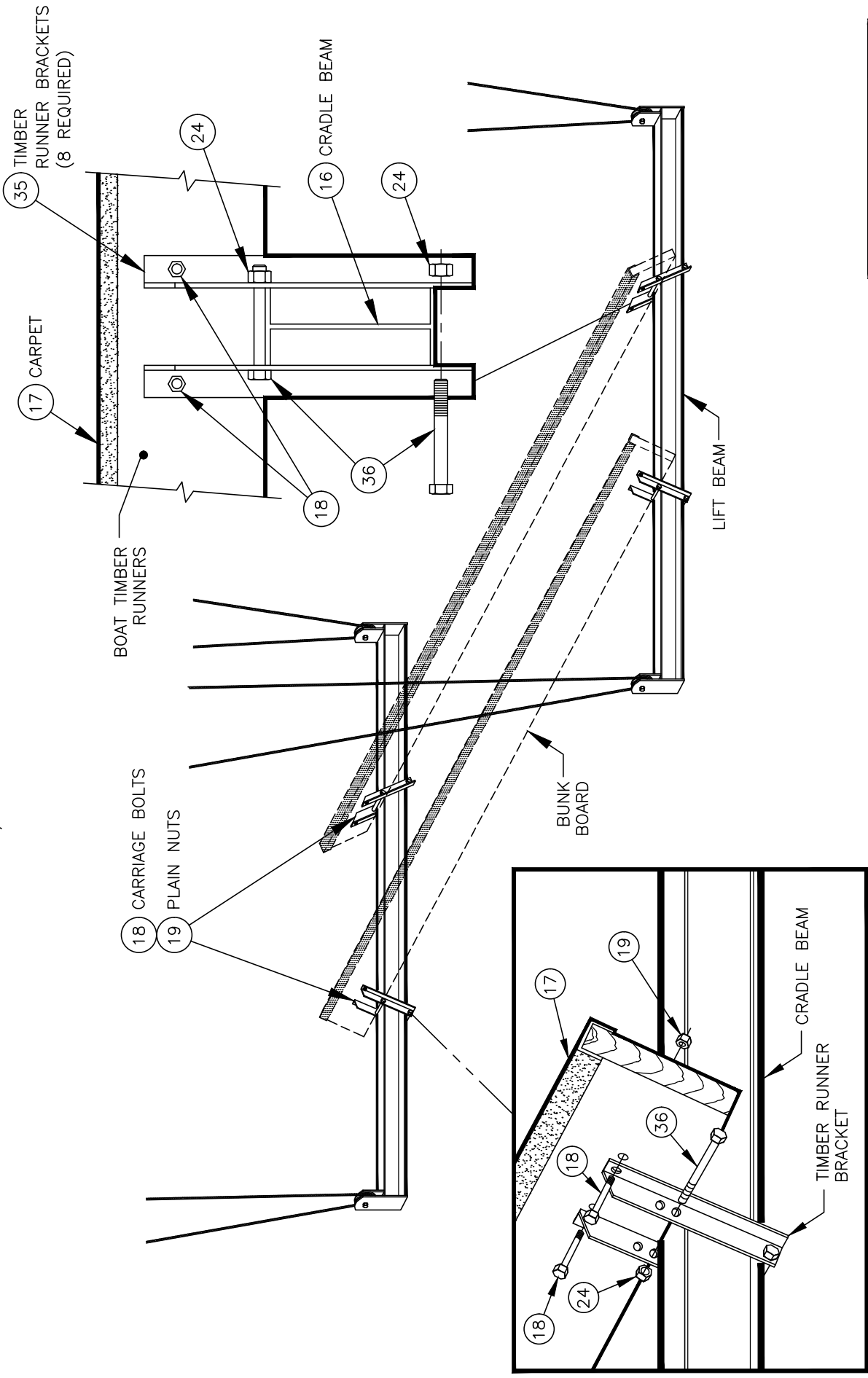


Project: "Boathouse" Model Cable Run Detail	
No.: 009B	Revision Date: 06-15-12
Scale: None	Date: 07-19-01
	Sheet: 2 of 2

BOAT LIFTS UNLIMITED, INC.

GENERAL NOTES:

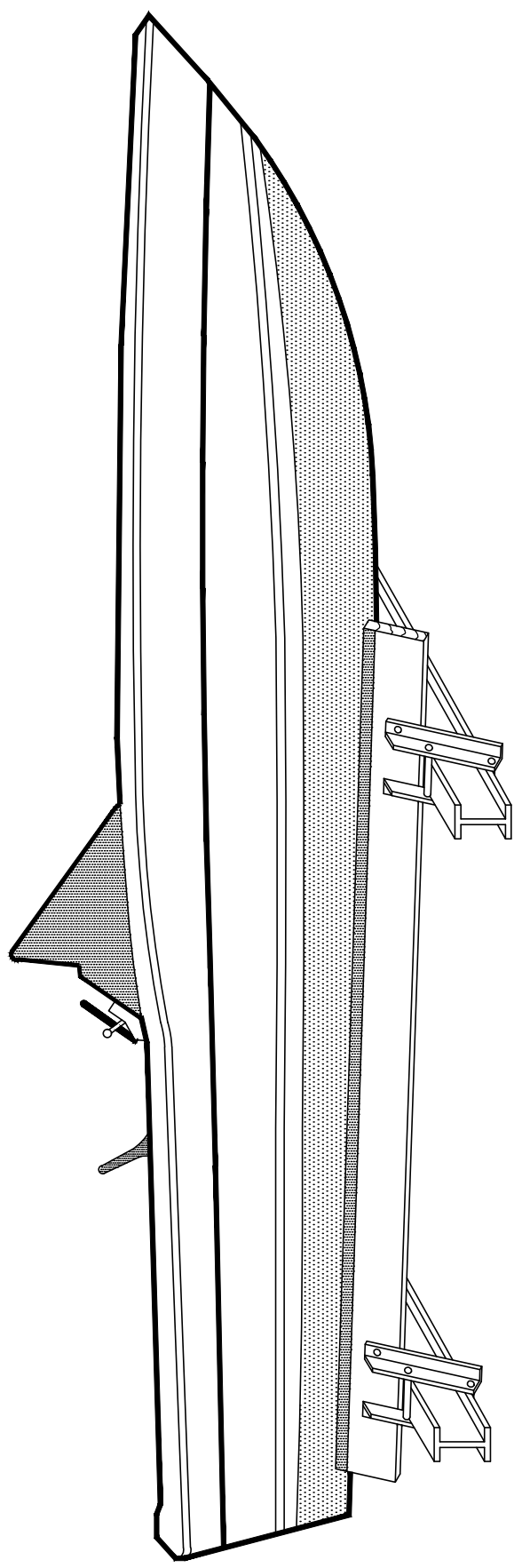
1. BUNK BOARDS, IF NOT SUPPLIED, SHOULD BE 2" x 8" OR 2" x 10" DIMENSIONAL LUMBER.
2. FOR LIST OF MATERIALS RELATED TO PART NUMBERS, SEE PARTS LIST.



Project: Chock Rails Assembly Detail	
No.: 010	Revision Date: 06-04-12
Scale: None	Date: 07-19-01
	Sheet: 1 of 1

GENERAL NOTES:

- 1. FOR OPTIMUM PERFORMANCE, EQUAL WEIGHT DISTRIBUTION IS REQUIRED OVER BOTH CRADLE ARMS.
- 2. TO OBTAIN EQUAL WEIGHT DISTRIBUTION:
 - A. USE BALANCE POINT OF BOAT.
 - B. DO NOT USE CENTER OF BOAT LENGTH.



SIDE VIEW OF BOAT

Project: Instructions For	
Weight Distribution	
No.: 011	Revision Date: 06-04-12
Scale: None	Date: 07-19-01
	Sheet: 1 of 1